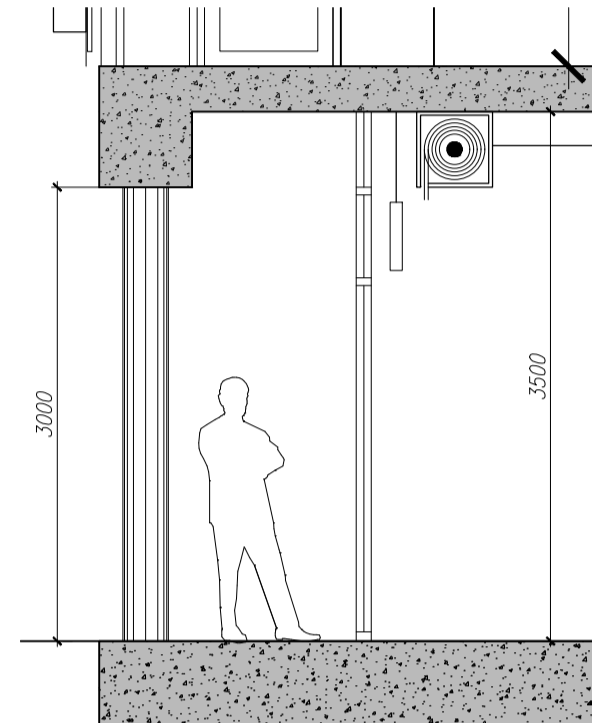
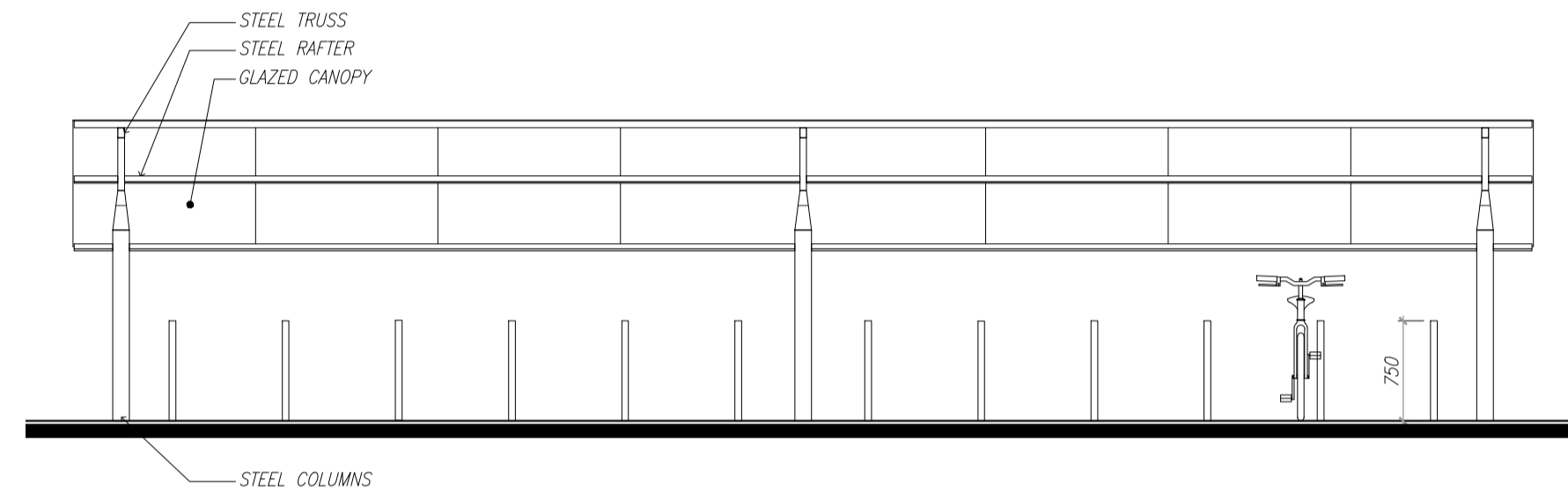


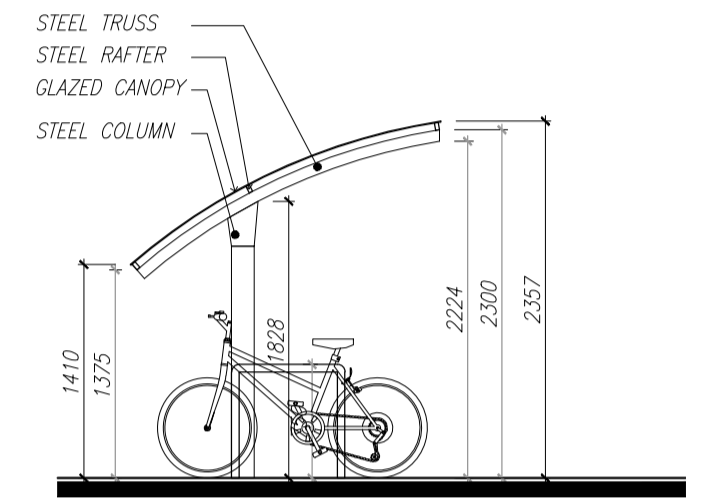
PART WEST ELEVATION OF UNIT 1



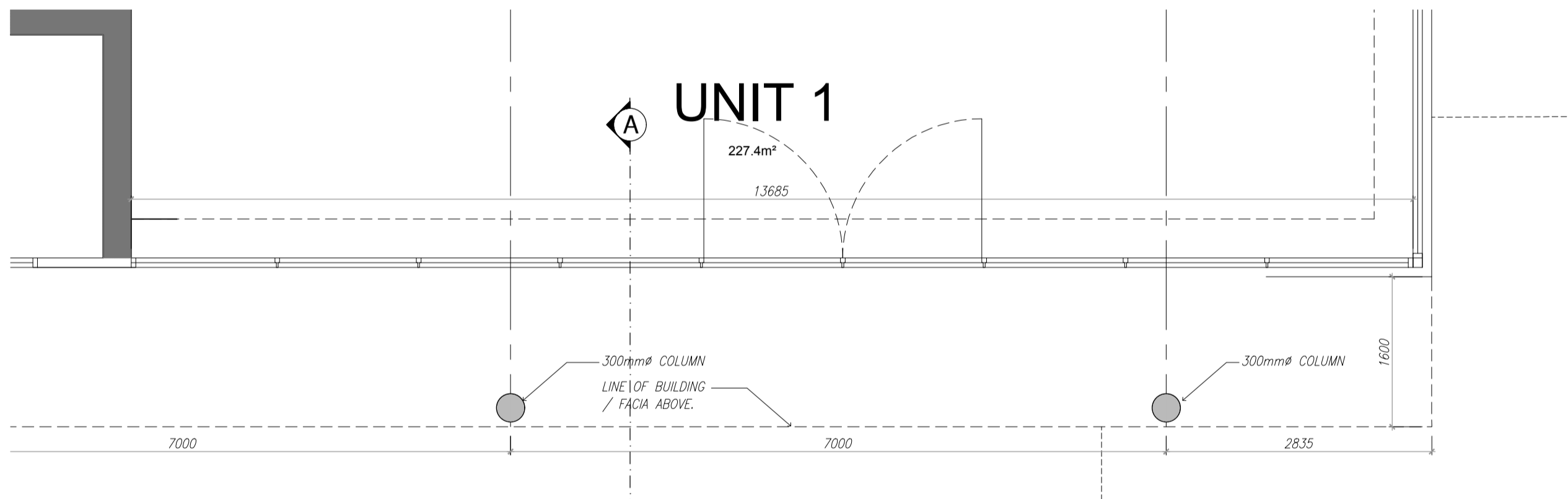
SECTION A-A



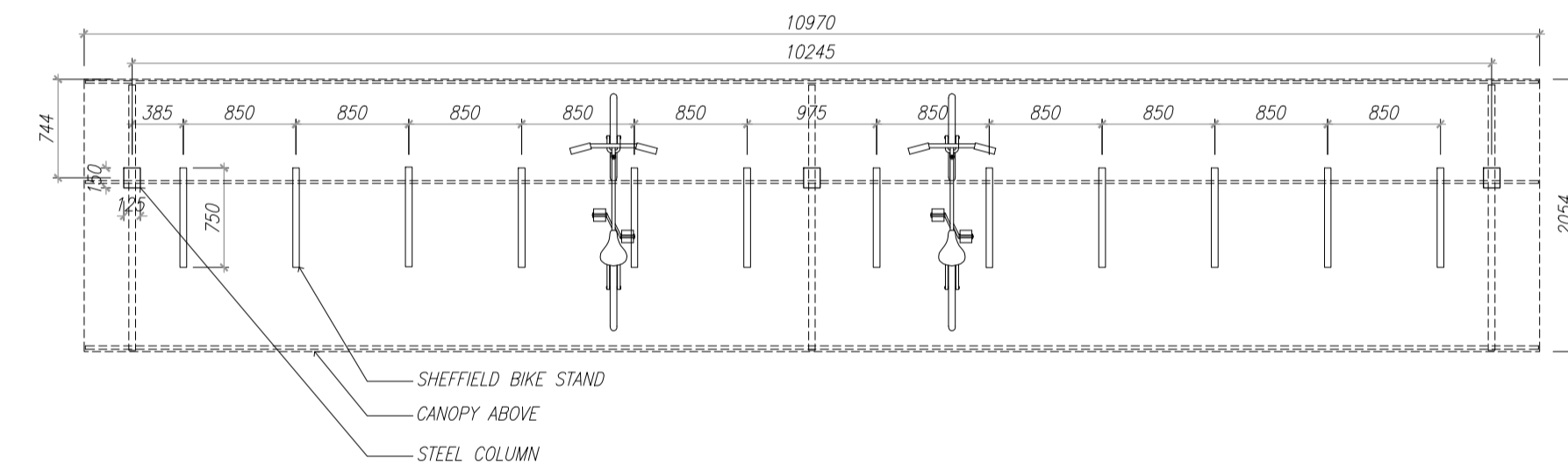
FRONT ELEVATION
(Surface Bike Stands with Canopy)



SIDE ELEVATION
(Surface Bike Stands with Canopy)

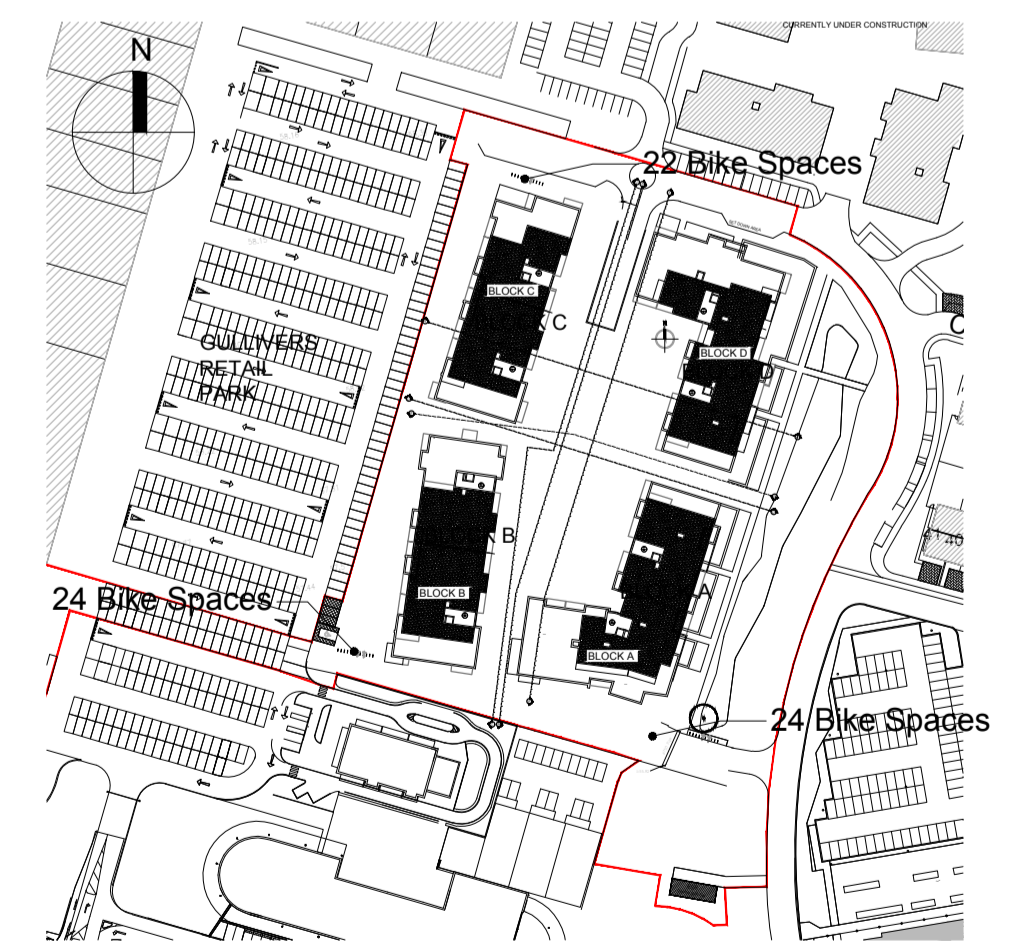


PART PLAN OF UNIT 1



PLAN
(Surface Bike Stands with Canopy)

KEY PLAN (NTS)



THIS DRAWING TO BE READ IN CONJUNCTION WITH ARCHITECT'S DRAWINGS, AND CONSULTANT ENGINEER'S DRAWINGS AND SPECIFICATIONS.

REFER TO ARCHITECT'S SITE PLAN FOR SPECIFIC NORTH ORIENTATION.

NOTES:

DO NOT SCALE FROM DRAWINGS. WORK TO FIGURED DIMENSIONS ONLY. ARCHITECT TO BE NOTIFIED OF ALL DISCREPANCIES.

REVISIONS		
DATE	DESCRIPTION	No.

 MFCROSSAN O'ROURKE MANNING ARCHITECTS	PROJECT TITLE: Blackwood Square, SHD	DATE: OCT'19	DRAWN BY: DE
	DRAWING TITLE: Commercial Unit Facade & Surface Bike Stands with Canopy	SCALE: 1:50@A1	REVISION:
	JOB NO: 14030.7	DRAWING NO: PL31	
	<small>1 Grantham Street, Dublin 8, D08 A69Y, Ireland. Tel: 01-4788700 Fax: 01-4788711 E-Mail: arch@mccorm.com</small>		